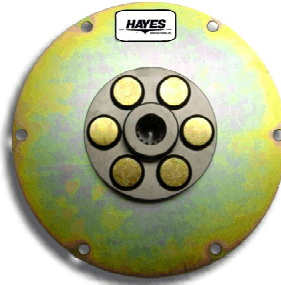




---

## ORIGINAL Hayes Flywheel Couplings

---



# ORIGINAL

# FLYWHEEL COUPLING



**Hayes Manufacturing, Inc.**

6875 U.S. 131

Fife Lake, MI 49633

Phone: (231) 879-3372 Fax: (231) 879-4330

Visit us at [www.hayescouplings.com](http://www.hayescouplings.com)



## Original Flywheel Couplings

Today, there are thousands of “Hayes Original Flywheel Couplings” in service throughout the world. They are used in gas and tough diesel engine applications where torsional vibration occurs. Our flexible neoprene elements absorb vibration and reduce shock loads, while providing a steady dampening effect.

The couplings take up very little space while transmitting a surprising amount of torque. They're available with a wide variety of spline and bores & keys that come ready to bolt to your flywheel. The splines do not lock onto the shaft in order to allow for any axial movement. This is similar to a drive shaft assembly in automotive applications.

All components have been designed for maximum life (when operated at normal engine speeds, torque and alignment). Please call your local distributor or our factory for assistance.

## Design Characteristics:

### Steel Yellow Zinc (Trivalent by 1-1-07) Flywheel Plate

- Sturdy, steel plate for continuous load support.
- Yellow Zinc (Trivalent by 1-1-07) plating to protect against corrosive wear.

### Drive Hub

- Precision machined for consistent quality
- Heat-treated splines to prevent premature shaft wear
- Two set screws for clamping bore and key applications
- Large driving surfaces for easy installation and longer drive life
- Splined and bore and key options for your specific applications
- Multiple hub lengths allow for easy installation in any standard SAE or non-standard application

## Features and Advantages:

- Absorbs vibration and shock loads, lengthening the life of your pump components
- Provides a steady dampening effect under load
- Designed for maximum life (when operated at normal engine speeds, torque and alignment)
- Rugged steel construction
- **Eliminates human error with our easy, one-piece design (perfect for a production environment)!**
- -40° to +220°F operating temperatures
- Various series for standard SAE flywheels and **non-standard flywheels (including engine housings)**
- Competitively priced and normally in stock
- Spline lubrication packaged and provided by Hayes.

## Applications:

- This one-piece coupling is used on off-highway construction equipment
- Aerial lifts • bucket loaders • skid-steer loaders • excavators • sweepers • wheeled loaders and more.
- Consult factory for applications not listed

**CALL US TO DISCUSS YOUR SPECIFIC APPLICATION REQUIREMENTS**

## Hayes Manufacturing, Inc.

6875 U.S. 131

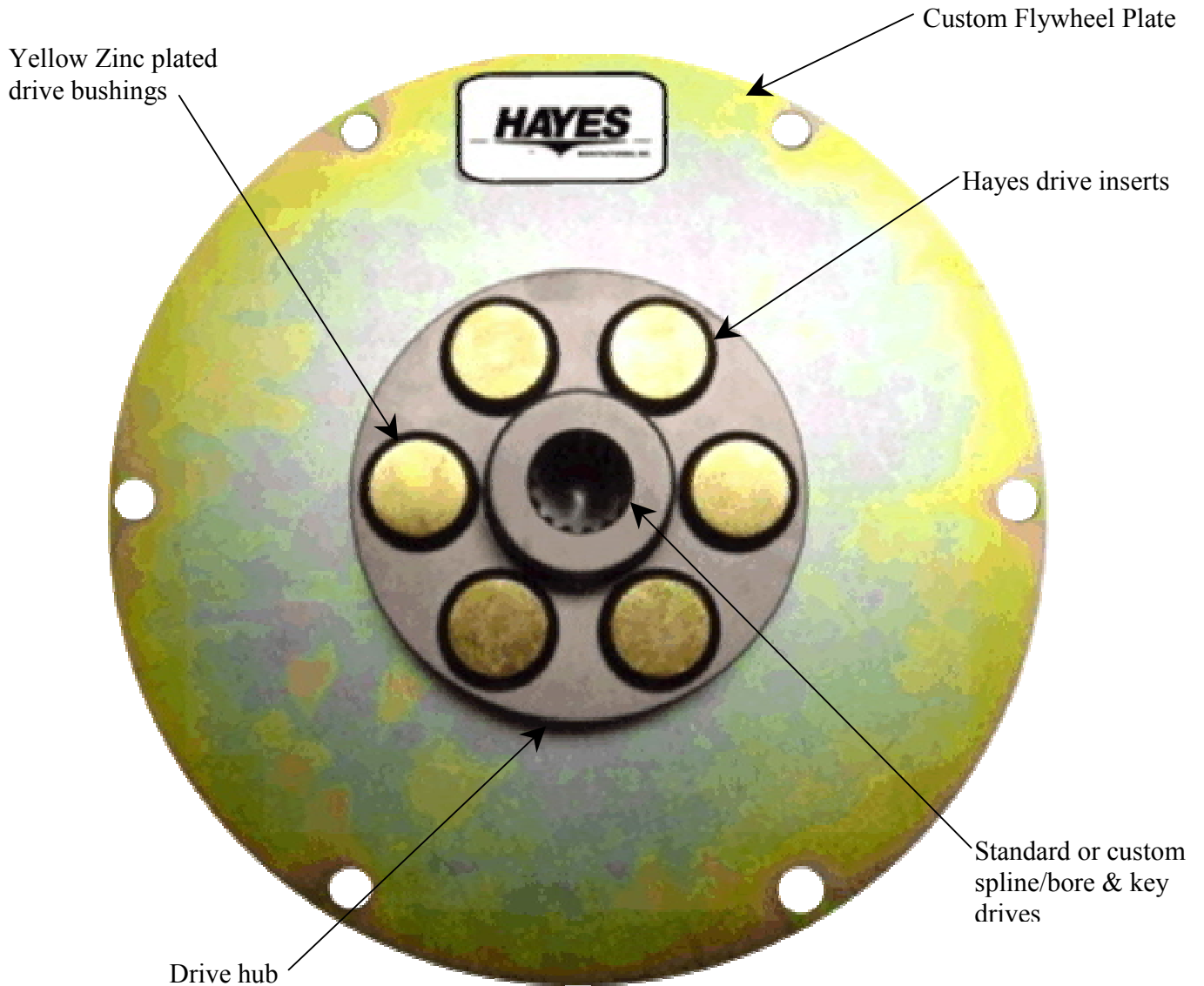
Fife Lake, MI 49633

Phone: (231) 879-3372 Fax: (231) 879-4330

Visit us at [www.hayescouplings.com](http://www.hayescouplings.com)



## Hayes Original Flywheel Couplings



### **Hayes Manufacturing, Inc.**

6875 U.S. 131

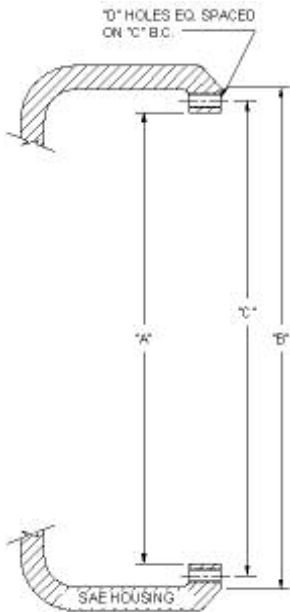
Fife Lake, MI 49633

Phone: (231) 879-3372 Fax: (231) 879-4330

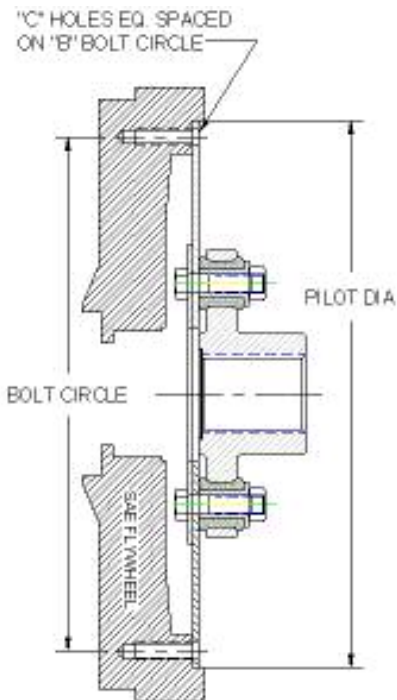
Visit us at [www.hayescouplings.com](http://www.hayescouplings.com)



## Standard SAE Flywheel Coupling and Pump Mount Information



HAYES SAE PUMP MOUNTING PLATE DIMENSIONS						
HOUSING SIZE	"A" PILOT	"B" O.D.	"C" B.C.	PLATE THICKNESS	"D" MOUNTING PLATE HOLES	
					# OF HOLES	SIZE
1	20.125	21.750	20.875	1" OR 5/8"	12	31/64
2	17.625	19.250	18.375	1" OR 5/8"	12	27/64
3	16.125	17.750	16.875	5/8"	12	27/64
4	14.250	15.880	15.000	5/8"	12	27/64
5	12.375	14.000	13.130	5/8"	8	27/64
6	10.500	12.120	11.250	5/8"	8	27/64



HAYES SAE FLYWHEEL PLATE DIMENSIONS				
SAE FLYWHEEL SIZE J620	"A" O.D.	"B" B.C.	# OF HOLES	"C" HOLE SIZE
6-1/2	8.499	7.875	6	0.343
7-1/2	9.499	8.750	8	0.343
8	10.374	9.625	6	0.406
10	12.374	11.625	8	0.406
11-1/2	13.874	13.125	8	0.406
14	18.375	17.250	8	0.531
16	20.375	19.250	8	0.531

### Hayes Manufacturing, Inc.

6875 U.S. 131

Fife Lake, MI 49633

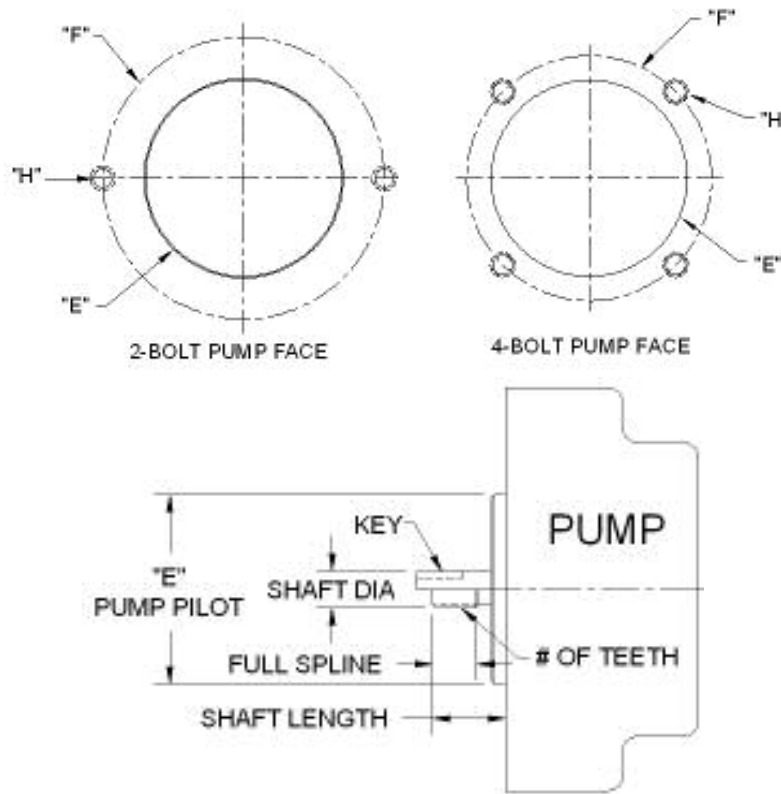
Phone: (231) 879-3372 Fax: (231) 879-4330

Visit us at [www.hayescouplings.com](http://www.hayescouplings.com)





## Standard SAE Pump Information



PUMP MOUNT FLANGE & SHAFT SIZE SAE J744C	2-BOLT PUMP				4-BOLT PUMP				SHAFT DIMENSIONS			
	"E" BORE DIA	"F" B.C.	"G" C'BORE DIA	"H" TAPPED HOLES	"E" BORE DIA	"F" B.C.	"G" C'BORE DIA	"H" TAPPED HOLES	SPLINE	SPLINE SHAFT LENGTH	BORE & KEY	BORE & KEY SHAFT LENGTH
A-A	2.000	3.250	7.000	5/16-18					9T 20/40	1.060	1/2"	1.060
A	3.250	4.187	7.000	3/8-16					9T 16/32	1.248	5/8"	1.248
									11T 16/32	1.490	3/4"	1.248
B	4.000	5.750	10.500	1/2-13	4.000	5.000	10.500	1/2-13	13T 16/32	1.622	7/8"	1.622
B-B									15T 16/32	1.810	1"	1.810
C	5.000	7.125	12.500	5/8-11	5.000	6.375	12.500	1/2-13	14T 12/24	2.185	1-1/4"	2.185
C-C									17T 12/24	2.435	1-1/2"	2.435
D	6.000	9.000	14.000	3/4-10	6.000	9.000	14.000	3/4-10	13T 8/16	2.935	1-3/4"	2.935
E	6.500	12.500	16.000	1"-8	6.500	12.500	16.000	3/4-10	13T 8/16	2.935	1-3/4"	2.935
F	7.000	13.781	18.000	1"-8	7.000	13.781	18.000	1"-8	15T 8/16	3.435	NONE	NONE

### Hayes Manufacturing, Inc.

6875 U.S. 131

Fife Lake, MI 49633

Phone: (231) 879-3372 Fax: (231) 879-4330

Visit us at [www.hayescouplings.com](http://www.hayescouplings.com)



**Easy fill in the blank coupling specification (Just fill in then fax)**

**Important Information:**

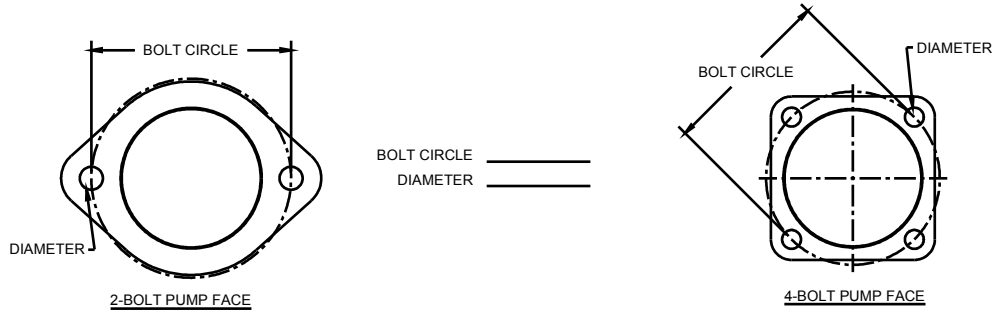
Your Name: \_\_\_\_\_

Your Company: \_\_\_\_\_

Phone: \_\_\_\_\_

Fax: \_\_\_\_\_

Email: \_\_\_\_\_



BOLT CIRCLE \_\_\_\_\_  
DIAMETER \_\_\_\_\_

FLYWHEEL DATA

PILOT DIA \_\_\_\_\_  
BOLT CIRCLE \_\_\_\_\_  
# OF HOLES \_\_\_\_\_

FLYWHEEL HOUSING DATA

PILOT DIA \_\_\_\_\_  
BOLT CIRCLE \_\_\_\_\_  
O.D. \_\_\_\_\_  
# OF HOLES \_\_\_\_\_

FLYWHEEL TO HOUSING

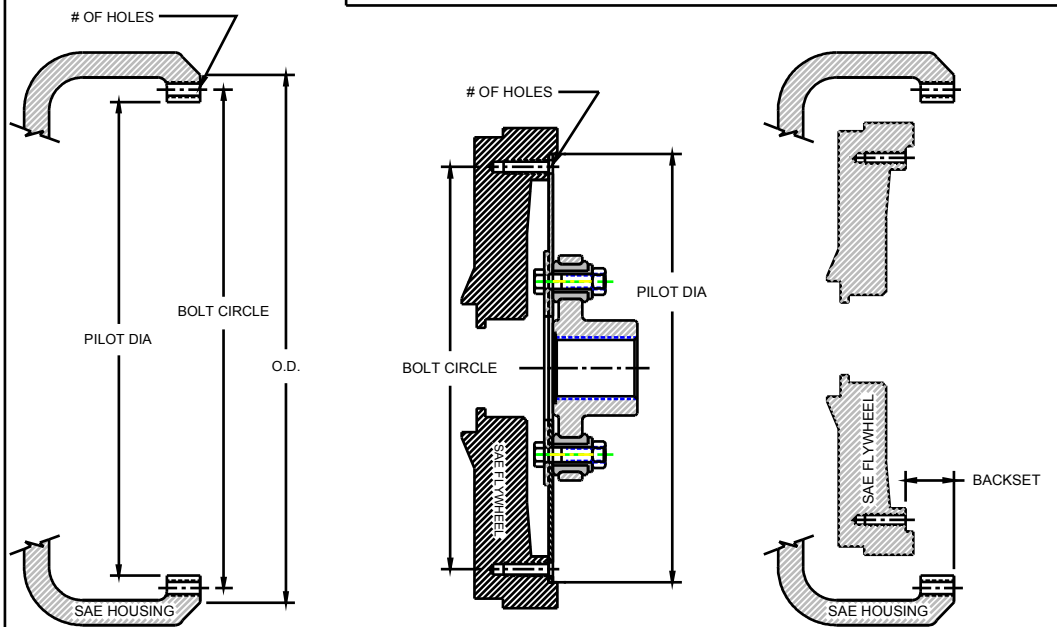
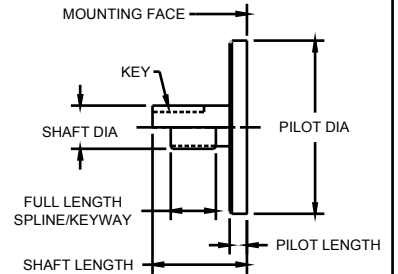
BACKSET \_\_\_\_\_

STANDARD DATA

PILOT DIA \_\_\_\_\_  
SHAFT DIA \_\_\_\_\_  
SHAFT LENGTH \_\_\_\_\_  
FULL KEY/SPLINE LENGTH \_\_\_\_\_  
PILOT LENGTH \_\_\_\_\_

SPLINE DATA

# OF TEETH \_\_\_\_\_  
D.P. \_\_\_\_\_  
P.A. \_\_\_\_\_



**Hayes Manufacturing, Inc.**

6875 U.S. 131

Fife Lake, MI 49633

Phone: (231) 879-3372 Fax: (231) 879-4330

Visit us at [www.hayescouplings.com](http://www.hayescouplings.com)